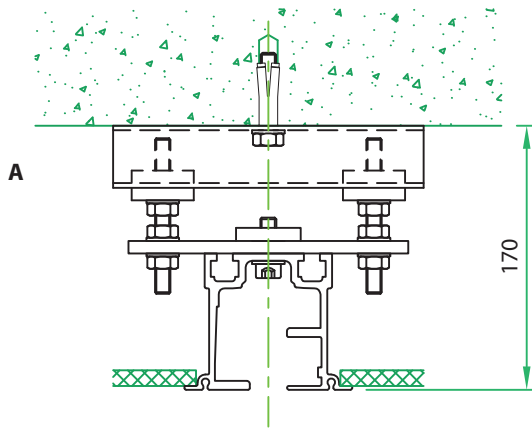
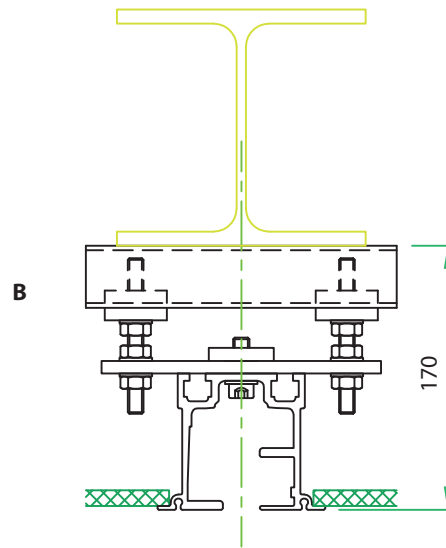


solaio - travetto - trave c.a.
load-bearing ceiling - joist - reinforced concrete beam

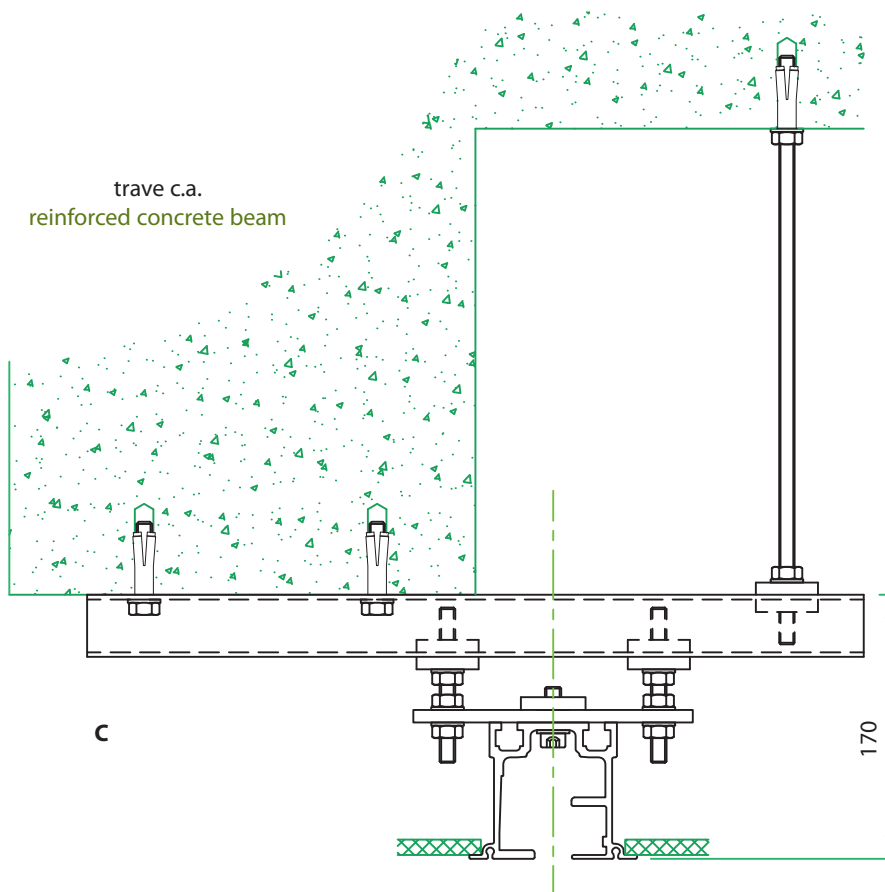


trave in acciaio
steel beam

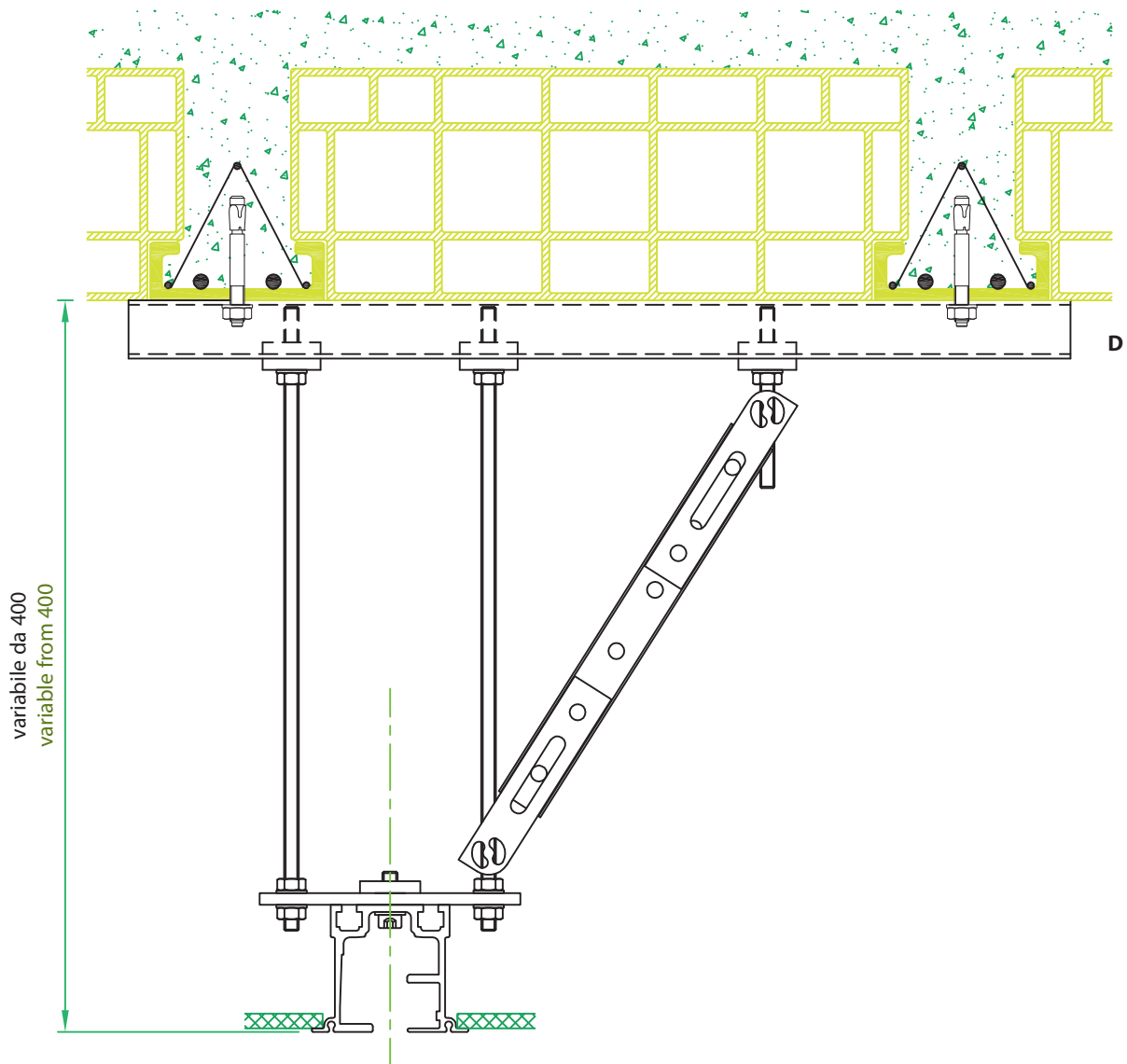


solaio
load-bearing ceiling

trave c.a.
reinforced concrete beam



solaio - travetto - trave c.a.
load-bearing ceiling - joist - reinforced concrete beam



solaio - travetto - trave c.a.
load-bearing ceiling - joist - reinforced concrete beam

